

OPTICO 12F MPO Connector Datasheet

Connector Parts: Dust Cap, Outer Housing, Hakusan Ferrule Assembly(F/M), Spring, Stopper, Riveting Ring, Black Boot.



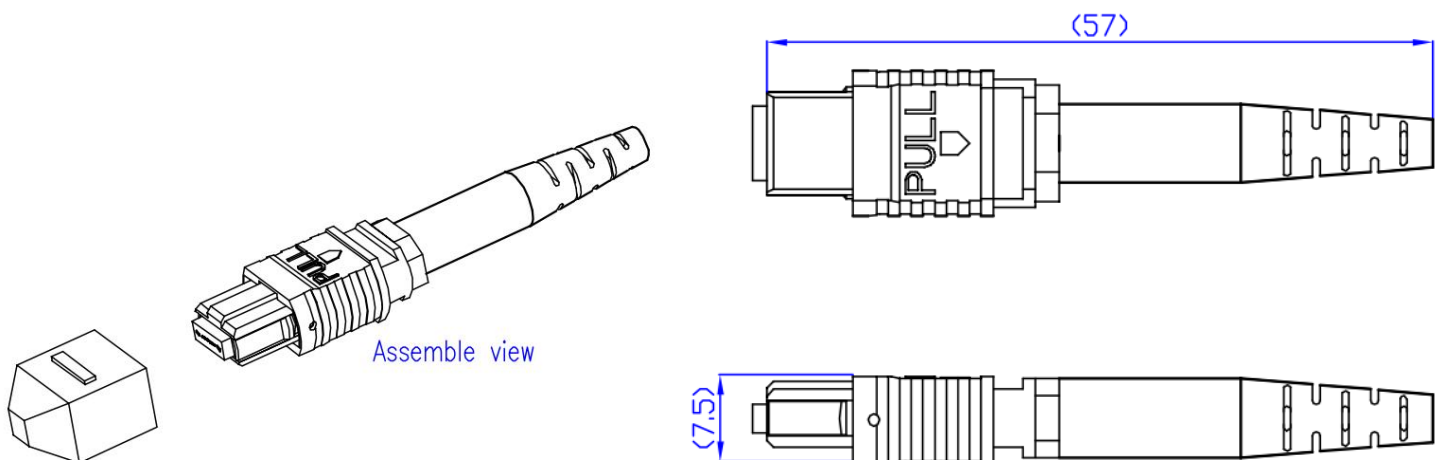
• Description

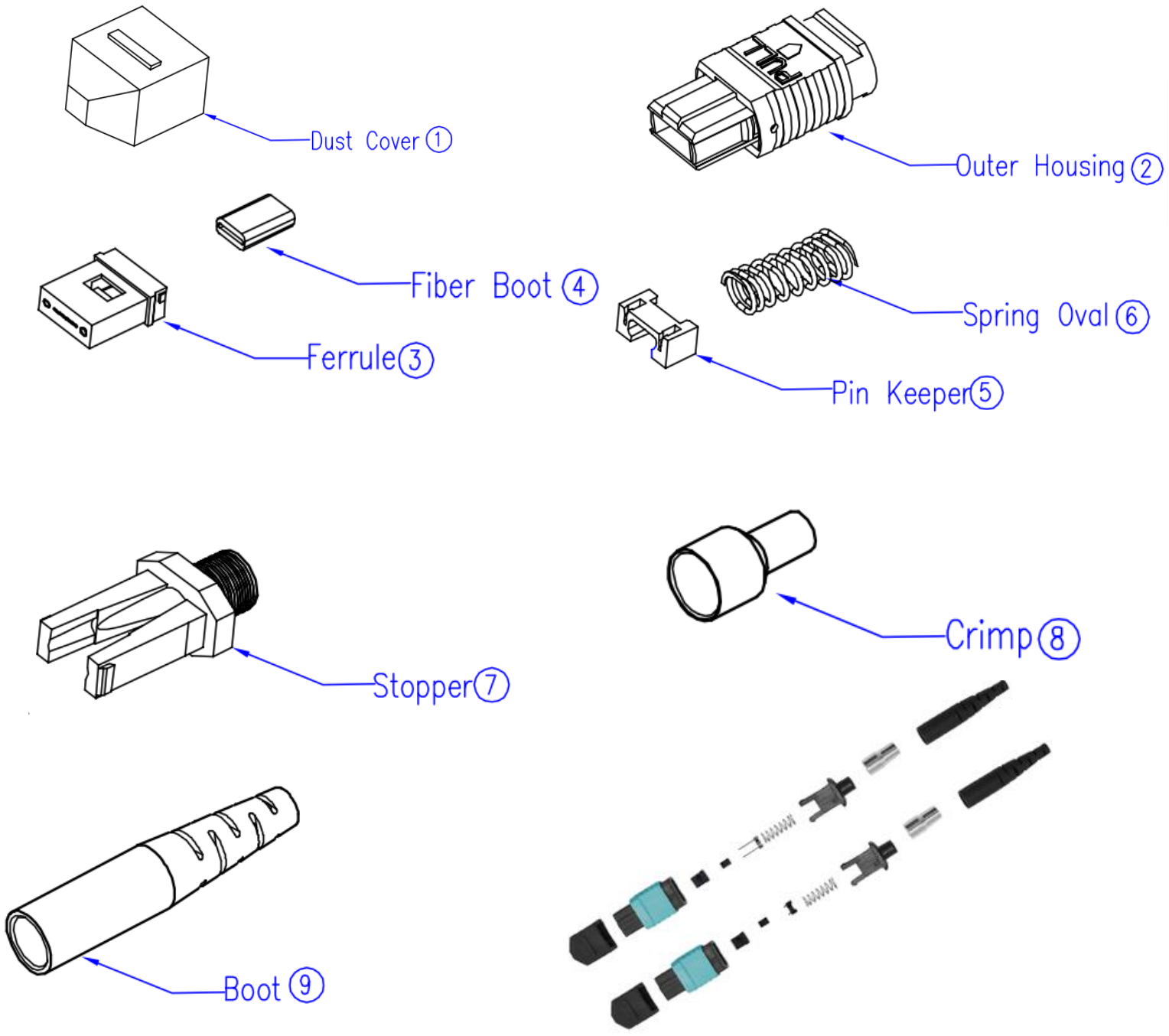
OPTICO design, develop molds and produce various of kinds of Single Mode and Multi-mode fiber optic connectors for ST, SC, FC, LC, E2000, MPO, MU and MTRJ applications. Both pre-assembled connector and connector kits are available. Each fiber optic connector is functionally tested before shipping.

• Features

- Fiber count:8/12/24 cores
- Insertion Loss: 0.35dB Max (0.15dB Typ.)
- Durability: >1000times
- Cable Diameter: 3.0mm
- Operating Temp:-40~85°C
- Perfectly applied to the assembly of various MPO cables
- LAN/WAN/MAN Networks

• Structure Drawing(Unit: mm):





• Specifications(Unit: mm):

Parameter	MPO Connector	
	SM	MM
	APC	PC
Insertion loss	0.35dB(0.15dB Typ.)	0.35dB(0.15dB Typ.)
Return loss	≥60dB	/
Operating wavelength	1310nm/1550nm	850nm/1300nm